

GJCU-F Snap In Knuckle Catch

Features

- Snap in installation
- Durable and reliable, passed over 100,000 life cycle test
- Catch has 1.5 mm tolerance for better alignment with striker

Notes

- Catch force may vary depending on application environment

Recommended Screws

- Countersunk screw M3

Cut Out Dimensions

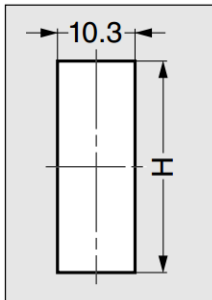
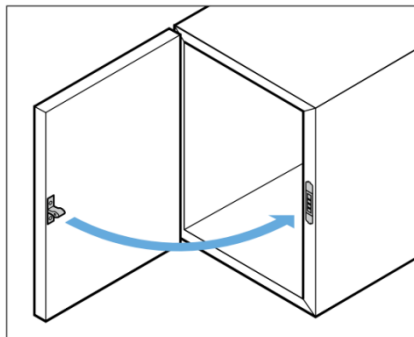
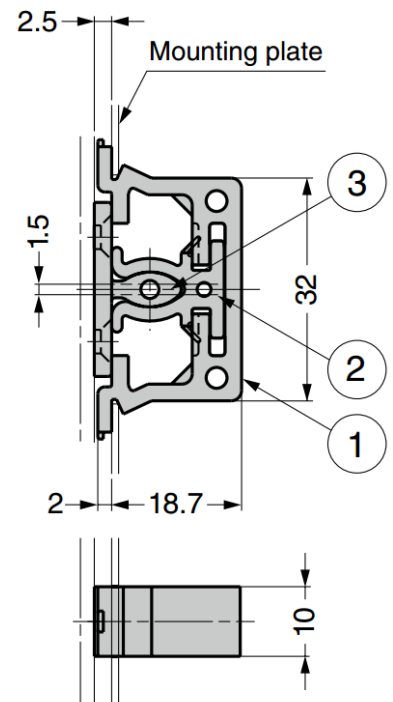
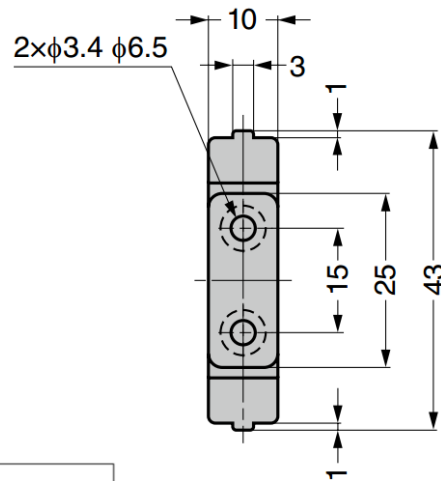


Plate Thickness	Height H
0.8	32.3
1.0	32.9
1.2	33.8



No.	Part Name	Material	Colour
①	Body	POM	Natural
②	Catch		
③	Striker	PA	

Part No.	Push-In Force		Pulling Force	
GJCU-F	19.6 N	2.0 kg	19.6 N	2.0 kg